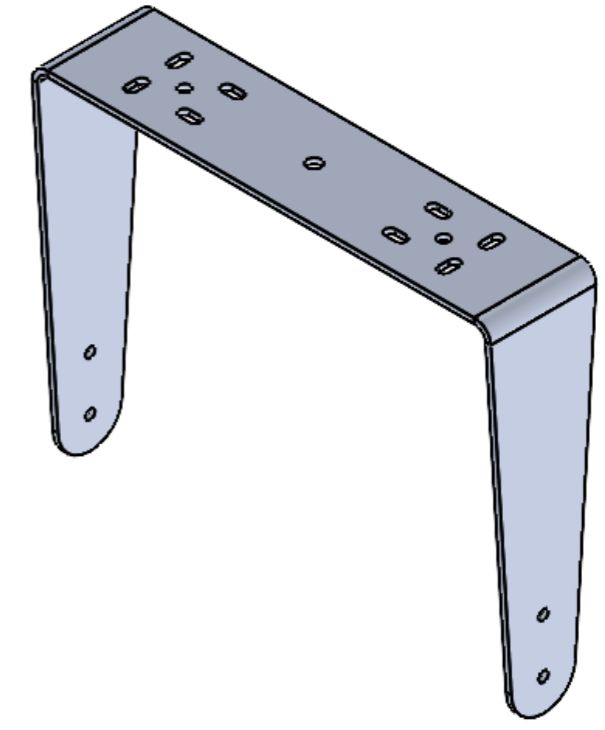
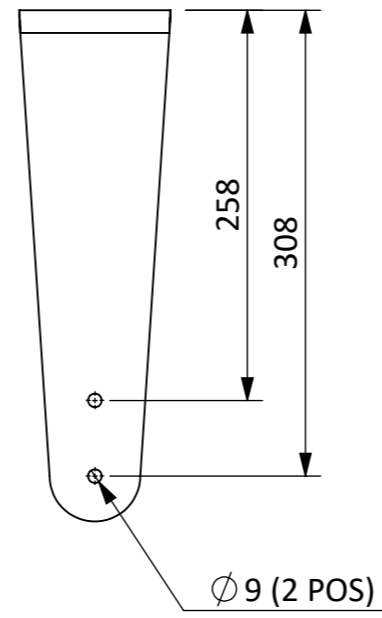
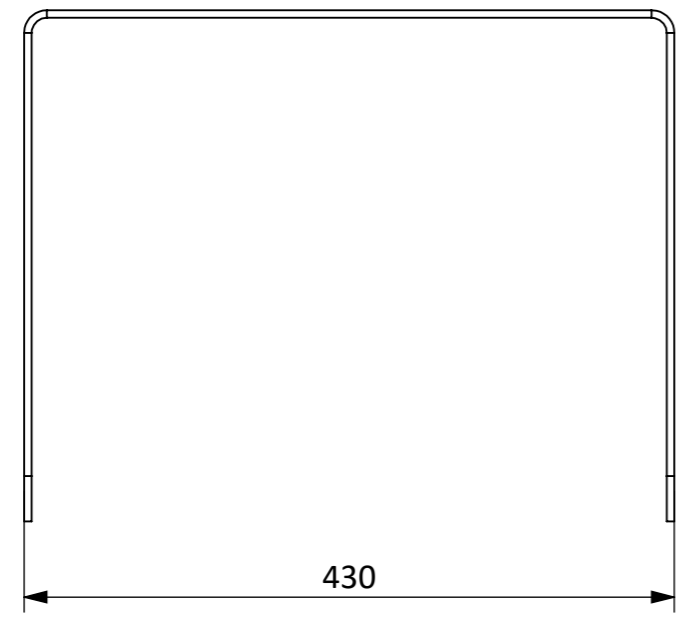
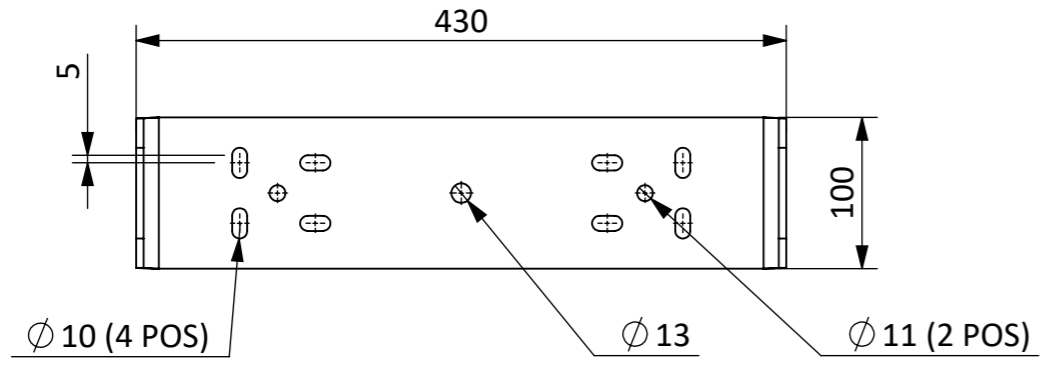


IF IN DOUBT ASK

REV	ECN No	CHANGE DESCRIPTION	DRAWN BY	CHECKED BY	APPROVED BY	APPROVED ON
A	n/a	1st Release	MGH	-	Admin	04/10/2024



TITLE: Venu 14 v2 Yoke Bracket		DRAWING No. BR10837-201		SCALE: 1:5		THIRD ANGLE PROJECTION TO BS 8888		UNITS LINEAR - mm WEIGHT - kg ANGULAR - degrees TEMP - C°		<p>VOID ACOUSTICS.COM</p> <p>REPRODUCTION OF ANY PART OF THIS DOCUMENT IS FORBIDDEN WITHOUT PRIOR PERMISSION FROM VOID ACOUSTICS RESEARCH LTD. DESIGN COPYRIGHT RESERVED - CONFIDENTIAL AND PROPRIETARY INFORMATION OF VOID ACOUSTICS RESEARCH LTD. Registered in England & Wales No. 07533536</p>
PROJECT: Venu 14 v2 Yoke Bracket		EST. WEIGHT (kg): 1.23		SAP No. IT5899		SHT 1 OF 1 SHTS		FABRICATION UNLESS OTHERWISE STATED		
MATERIAL: Mild Steel		COLOUR: RAL9003 (WHITE)		FINISH: POWDER COAT MATTE		MACHINING UNLESS OTHERWISE STATED		BREAK EDGE 0mm ±0.5 0.0mm ±0.2 0.05 - 0.15 FILLET RADS 0.00mm ±0.1 0.000mm +0.01 0.1 - 0.3		
						SURFACE TEXTURE VALUES IN MICROMETRES (µm) TO BS1134 P12 ALL MACHINED SURFACES TO BE:		ANGULAR ±2.0 ±1		
						ALL SCREW THREADS TO BS3643 PT.2				